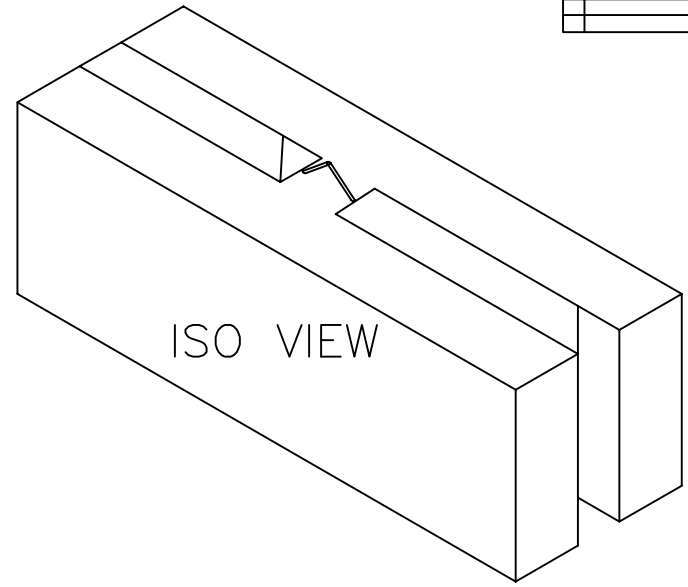
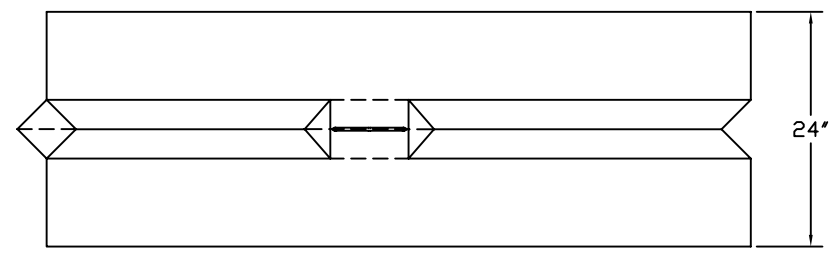


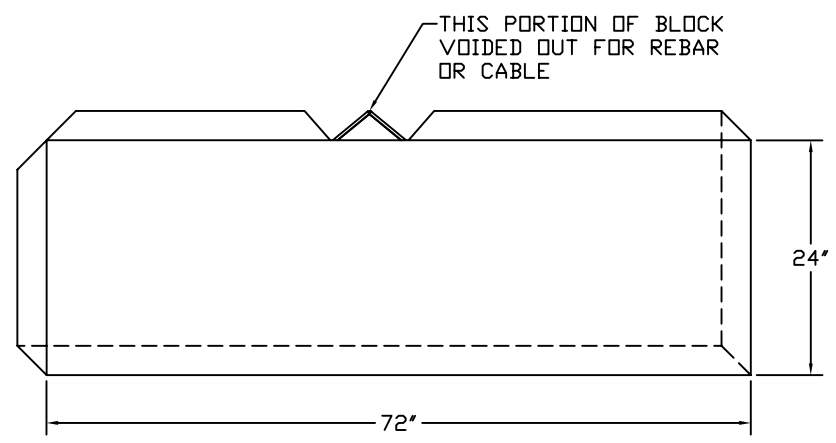
TAB. NO.	DESCRIPTION
VB100	

REVISIONS				
REV	DESCRIPTION	DRN	DATE	CHKD/APPD

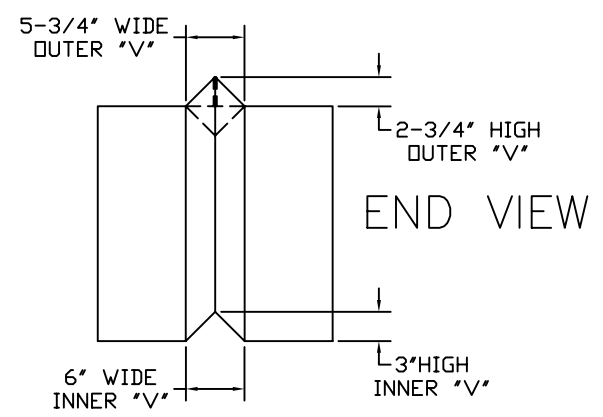
PLAN VIEW



ISO VIEW



FRONT VIEW



END VIEW

MATERIAL:	6 FT STRAIGHT BLOCK	
DESIGN PRO INC. <small>THIS DRAWING CONTAINS CONFIDENTIAL AND PROPRIETARY INFORMATION OF D.P.I. NOT TO BE USED BY OR DISCLOSED TO ANY OTHER PERSON OR FIRM, WITHOUT THE WRITTEN PERMISSION OF A REPRESENTATIVE OF D.P.I.</small> <b>DESIGN PRO INC</b> <small>CONCRETE PRODUCTS</small>		
<small>DESIGNER &amp; REVISIONS ALL SHOWN EDGES AND CORNERS UNLESS OTHERWISE SPECIFIED</small> <small>UNDESIGNED TOLERANCES &amp; NOTES UNLESS OTHERWISE SPECIFIED</small> <small>DIMENSIONS ARE IN INCHES UNLESS OTHERWISE SPECIFIED</small> <small>UNDESIGNED TOLERANCES</small> <small>± .000</small> <small>± .005</small> <small>± .010</small> <small>± .015</small> <small>± .020</small> <small>± .030</small> <small>± .040</small> <small>± .050</small> <small>± .060</small> <small>± .070</small> <small>± .080</small> <small>± .090</small> <small>± .100</small> <small>± .125</small> <small>± .150</small> <small>± .175</small> <small>± .200</small> <small>± .250</small> <small>± .300</small> <small>± .375</small> <small>± .500</small> <small>± .750</small> <small>± 1.000</small> <small>± 1.500</small> <small>± 2.000</small> <small>± 3.000</small> <small>± 4.000</small> <small>± 5.000</small> <small>± 6.000</small> <small>± 8.000</small> <small>± 10.000</small> <small>± 12.000</small> <small>± 15.000</small> <small>± 20.000</small> <small>± 25.000</small> <small>± 30.000</small> <small>± 35.000</small> <small>± 40.000</small> <small>± 45.000</small> <small>± 50.000</small> <small>± 60.000</small> <small>± 70.000</small> <small>± 80.000</small> <small>± 90.000</small> <small>± 100.000</small> <small>± 125.000</small> <small>± 150.000</small> <small>± 175.000</small> <small>± 200.000</small> <small>± 250.000</small> <small>± 300.000</small> <small>± 350.000</small> <small>± 400.000</small> <small>± 450.000</small> <small>± 500.000</small> <small>± 600.000</small> <small>± 700.000</small> <small>± 800.000</small> <small>± 900.000</small> <small>± 1000.000</small> <small>± 1250.000</small> <small>± 1500.000</small> <small>± 1750.000</small> <small>± 2000.000</small> <small>± 2500.000</small> <small>± 3000.000</small> <small>± 3500.000</small> <small>± 4000.000</small> <small>± 4500.000</small> <small>± 5000.000</small> <small>± 6000.000</small> <small>± 7000.000</small> <small>± 8000.000</small> <small>± 9000.000</small> <small>± 10000.000</small> <small>± 12500.000</small> <small>± 15000.000</small> <small>± 17500.000</small> <small>± 20000.000</small> <small>± 25000.000</small> <small>± 30000.000</small> <small>± 35000.000</small> <small>± 40000.000</small> <small>± 45000.000</small> <small>± 50000.000</small> <small>± 60000.000</small> <small>± 70000.000</small> <small>± 80000.000</small> <small>± 90000.000</small> <small>± 100000.000</small> <small>± 125000.000</small> <small>± 150000.000</small> <small>± 175000.000</small> <small>± 200000.000</small> <small>± 250000.000</small> <small>± 300000.000</small> <small>± 350000.000</small> <small>± 400000.000</small> <small>± 450000.000</small> <small>± 500000.000</small> <small>± 600000.000</small> <small>± 700000.000</small> <small>± 800000.000</small> <small>± 900000.000</small> <small>± 1000000.000</small> <small>± 1250000.000</small> <small>± 1500000.000</small> <small>± 1750000.000</small> <small>± 2000000.000</small> <small>± 2500000.000</small> <small>± 3000000.000</small> <small>± 3500000.000</small> <small>± 4000000.000</small> <small>± 4500000.000</small> <small>± 5000000.000</small> <small>± 6000000.000</small> <small>± 7000000.000</small> <small>± 8000000.000</small> <small>± 9000000.000</small> <small>± 10000000.000</small> <small>± 12500000.000</small> <small>± 15000000.000</small> <small>± 17500000.000</small> <small>± 20000000.000</small> <small>± 25000000.000</small> <small>± 30000000.000</small> <small>± 35000000.000</small> <small>± 40000000.000</small> <small>± 45000000.000</small> <small>± 50000000.000</small> <small>± 60000000.000</small> <small>± 70000000.000</small> <small>± 80000000.000</small> <small>± 90000000.000</small> <small>± 100000000.000</small> <small>± 125000000.000</small> <small>± 150000000.000</small> <small>± 175000000.000</small> <small>± 200000000.000</small> <small>± 250000000.000</small> <small>± 300000000.000</small> <small>± 350000000.000</small> <small>± 400000000.000</small> <small>± 450000000.000</small> <small>± 500000000.000</small> <small>± 600000000.000</small> <small>± 700000000.000</small> <small>± 800000000.000</small> <small>± 900000000.000</small> <small>± 1000000000.000</small> <small>± 1250000000.000</small> <small>± 1500000000.000</small> <small>± 1750000000.000</small> <small>± 2000000000.000</small> <small>± 2500000000.000</small> <small>± 3000000000.000</small> <small>± 3500000000.000</small> <small>± 4000000000.000</small> <small>± 4500000000.000</small> <small>± 5000000000.000</small> <small>± 6000000000.000</small> <small>± 7000000000.000</small> <small>± 8000000000.000</small> <small>± 9000000000.000</small> <small>± 10000000000.000</small> <small>± 12500000000.000</small> <small>± 15000000000.000</small> <small>± 17500000000.000</small> <small>± 20000000000.000</small> <small>± 25000000000.000</small> <small>± 30000000000.000</small> <small>± 35000000000.000</small> <small>± 40000000000.000</small> <small>± 45000000000.000</small> <small>± 50000000000.000</small> <small>± 60000000000.000</small> <small>± 70000000000.000</small> <small>± 80000000000.000</small> <small>± 90000000000.000</small> <small>± 100000000000.000</small> <small>± 125000000000.000</small> <small>± 150000000000.000</small> <small>± 175000000000.000</small> <small>± 200000000000.000</small> <small>± 250000000000.000</small> <small>± 300000000000.000</small> <small>± 350000000000.000</small> <small>± 400000000000.000</small> <small>± 450000000000.000</small> <small>± 500000000000.000</small> <small>± 600000000000.000</small> <small>± 700000000000.000</small> <small>± 800000000000.000</small> <small>± 900000000000.000</small> <small>± 1000000000000.000</small> <small>± 1250000000000.000</small> <small>± 1500000000000.000</small> <small>± 1750000000000.000</small> <small>± 2000000000000.000</small> <small>± 2500000000000.000</small> <small>± 3000000000000.000</small> <small>± 3500000000000.000</small> <small>± 4000000000000.000</small> <small>± 4500000000000.000</small> <small>± 5000000000000.000</small> <small>± 6000000000000.000</small> <small>± 7000000000000.000</small> <small>± 8000000000000.000</small> <small>± 9000000000000.000</small> <small>± 10000000000000.000</small> <small>± 12500000000000.000</small> <small>± 15000000000000.000</small> <small>± 17500000000000.000</small> <small>± 20000000000000.000</small> <small>± 25000000000000.000</small> <small>± 30000000000000.000</small> <small>± 35000000000000.000</small> <small>± 40000000000000.000</small> <small>± 45000000000000.000</small> <small>± 50000000000000.000</small> <small>± 60000000000000.000</small> <small>± 70000000000000.000</small> <small>± 80000000000000.000</small> <small>± 90000000000000.000</small> <small>± 100000000000000.000</small> <small>± 125000000000000.000</small> <small>± 150000000000000.000</small> <small>± 175000000000000.000</small> <small>± 200000000000000.000</small> <small>± 250000000000000.000</small> <small>± 300000000000000.000</small> <small>± 350000000000000.000</small> <small>± 400000000000000.000</small> <small>± 450000000000000.000</small> <small>± 500000000000000.000</small> <small>± 600000000000000.000</small> <small>± 700000000000000.000</small> <small>± 800000000000000.000</small> <small>± 900000000000000.000</small> <small>± 1000000000000000.000</small> <small>± 1250000000000000.000</small> <small>± 1500000000000000.000</small> <small>± 1750000000000000.000</small> <small>± 2000000000000000.000</small> <small>± 2500000000000000.000</small> <small>± 3000000000000000.000</small> <small>± 3500000000000000.000</small> <small>± 4000000000000000.000</small> <small>± 4500000000000000.000</small> <small>± 5000000000000000.000</small> <small>± 6000000000000000.000</small> <small>± 7000000000000000.000</small> <small>± 8000000000000000.000</small> <small>± 9000000000000000.000</small> <small>± 10000000000000000.000</small> <small>± 12500000000000000.000</small> <small>± 15000000000000000.000</small> <small>± 17500000000000000.000</small> <small>± 20000000000000000.000</small> <small>± 25000000000000000.000</small> <small>± 30000000000000000.000</small> <small>± 35000000000000000.000</small> <small>± 40000000000000000.000</small> <small>± 45000000000000000.000</small> <small>± 50000000000000000.000</small> <small>± 60000000000000000.000</small> <small>± 70000000000000000.000</small> <small>± 80000000000000000.000</small> <small>± 90000000000000000.000</small> <small>± 100000000000000000.000</small> <small>± 125000000000000000.000</small> <small>± 150000000000000000.000</small> <small>± 175000000000000000.000</small> <small>± 200000000000000000.000</small> <small>± 250000000000000000.000</small> <small>± 300000000000000000.000</small> <small>± 350000000000000000.000</small> <small>± 400000000000000000.000</small> <small>± 450000000000000000.000</small> <small>± 500000000000000000.000</small> <small>± 600000000000000000.000</small> <small>± 700000000000000000.000</small> <small>± 800000000000000000.000</small> <small>± 900000000000000000.000</small> <small>± 1000000000000000000.000</small> <small>± 1250000000000000000.000</small> <small>± 1500000000000000000.000</small> <small>± 1750000000000000000.000</small> <small>± 2000000000000000000.000</small> <small>± 2500000000000000000.000</small> <small>± 3000000000000000000.000</small> <small>± 3500000000000000000.000</small> <small>± 4000000000000000000.000</small> <small>± 4500000000000000000.000</small> <small>± 5000000000000000000.000</small> <small>± 6000000000000000000.000</small> <small>± 7000000000000000000.000</small> <small>± 8000000000000000000.000</small> <small>± 9000000000000000000.000</small> <small>± 10000000000000000000.000</small> <small>± 12500000000000000000.000</small> <small>± 15000000000000000000.000</small> <small>± 17500000000000000000.000</small> <small>± 20000000000000000000.000</small> <small>± 25000000000000000000.000</small> <small>± 30000000000000000000.000</small> <small>± 35000000000000000000.000</small> <small>± 40000000000000000000.000</small> <small>± 45000000000000000000.000</small> <small>± 50000000000000000000.000</small> <small>± 60000000000000000000.000</small> <small>± 70000000000000000000.000</small> <small>± 80000000000000000000.000</small> <small>± 90000000000000000000.000</small> <small>± 100000000000000000000.000</small> <small>± 125000000000000000000.000</small> <small>± 150000000000000000000.000</small> <small>± 175000000000000000000.000</small> <small>± 200000000000000000000.000</small> <small>± 250000000000000000000.000</small> <small>± 300000000000000000000.000</small> <small>± 350000000000000000000.000</small> <small>± 400000000000000000000.000</small> <small>± 450000000000000000000.000</small> <small>± 500000000000000000000.000</small> <small>± 600000000000000000000.000</small> <small>± 700000000000000000000.000</small> <small>± 800000000000000000000.000</small> <small>± 900000000000000000000.000</small> <small>± 1000000000000000000000.000</small> <small>± 1250000000000000000000.000</small> <small>± 1500000000000000000000.000</small> <small>± 1750000000000000000000.000</small> <small>± 2000000000000000000000.000</small> <small>± 2500000000000000000000.000</small> <small>± 3000000000000000000000.000</small> <small>± 3500000000000000000000.000</small> <small>± 4000000000000000000000.000</small> <small>± 4500000000000000000000.000</small> <small>± 5000000000000000000000.000</small> <small>± 6000000000000000000000.000</small> <small>± 7000000000000000000000.000</small> <small>± 8000000000000000000000.000</small> <small>± 9000000000000000000000.000</small> <small>± 10000000000000000000000.000</small> <small>± 12500000000000000000000.000</small> <small>± 15000000000000000000000.000</small> <small>± 17500000000000000000000.000</small> <small>± 20000000000000000000000.000</small> <small>± 25000000000000000000000.000</small> <small>± 30000000000000000000000.000</small> <small>± 35000000000000000000000.000</small> <small>± 40000000000000000000000.000</small> <small>± 45000000000000000000000.000</small> <small>± 50000000000000000000000.000</small> <small>± 60000000000000000000000.000</small> <small>± 70000000000000000000000.000</small> <small>± 80000000000000000000000.000</small> <small>± 90000000000000000000000.000</small> <small>± 100000000000000000000000.000</small> <small>± 125000000000000000000000.000</small> <small>± 150000000000000000000000.000</small> <small>± 175000000000000000000000.000</small> <small>± 200000000000000000000000.000</small> <small>± 250000000000000000000000.000</small> <small>± 300000000000000000000000.000</small> <small>± 350000000000000000000000.000</small> <small>± 400000000000000000000000.000</small> <small>± 450000000000000000000000.000</small> <small>± 500000000000000000000000.000</small> <small>± 600000000000000000000000.000</small> <small>± 700000000000000000000000.000</small> <small>± 800000000000000000000000.000</small> <small>± 900000000000000000000000.000</small> <small>± 1000000000000000000000000.000</small> <small>± 1250000000000000000000000.000</small> <small>± 1500000000000000000000000.000</small> <small>± 1750000000000000000000000.000</small> <small>± 2000000000000000000000000.000</small> <small>± 2500000000000000000000000.000</small> <small>± 3000000000000000000000000.000</small> <small>± 3500000000000000000000000.000</small> <small>± 4000000000000000000000000.000</small> <small>± 4500000000000000000000000.000</small> <small>± 5000000000000000000000000.000</small> <small>± 6000000000000000000000000.000</small> <small>± 7000000000000000000000000.000</small> <small>± 8000000000000000000000000.000</small> <small>± 9000000000000000000000000.000</small> <small>± 10000000000000000000000000.000</small> <small>± 12500000000000000000000000.000</small> <small>± 15000000000000000000000000.000</small> <small>± 17500000000000000000000000.000</small> <small>± 20000000000000000000000000.000</small> <small>± 25000000000000000000000000.000</small> <small>± 30000000000000000000000000.000</small> <small>± 35000000000000000000000000.000</small> <small>± 40000000000000000000000000.000</small> <small>± 45000000000000000000000000.000</small> <small>± 50000000000000000000000000.000</small> <small>± 60000000000000000000000000.000</small> <small>± 70000000000000000000000000.000</small> <small>± 80000000000000000000000000.000</small> <small>± 90000000000000000000000000.000</small> <small>± 100000000000000000000000000.000</small> <small>± 125000000000000000000000000.000</small> <small>± 150000000000000000000000000.000</small> <small>± 175000000000000000000000000.000</small> <small>± 200000000000000000000000000.000</small> <small>± 250000000000000000000000000.000</small> <small>± 300000000000000000000000000.000</small> <small>± 350000000000000000000000000.000</small> <small>± 400000000000000000000000000.000</small> <small>± 450000000000000000000000000.000</small> <small>± 500000000000000000000000000.000</small> <small>± 600000</small>		