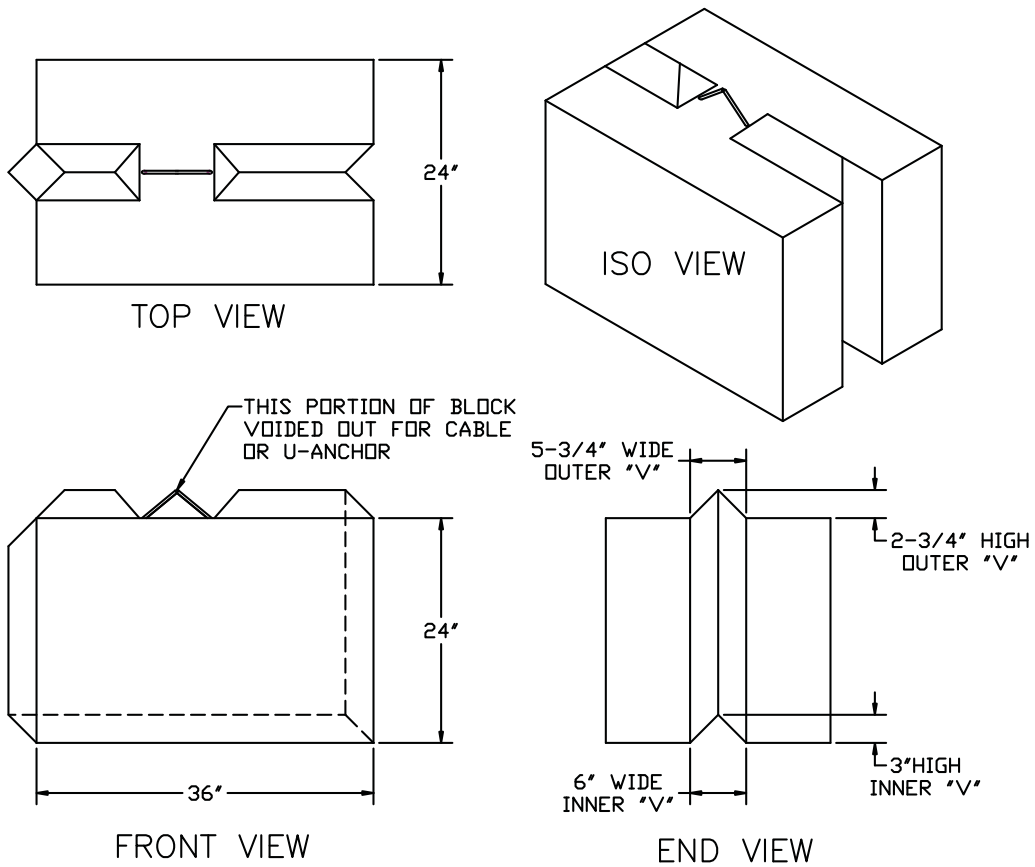


■ V-INTERLOCK 2' X 2' X 3' STRAIGHT



WEIGHT: 1,800 Lbs.
VOLUME: 12.00 Cft